



# MASON'S MARK STONE VENEER CORPORATION

"Our Mark is High Quality"

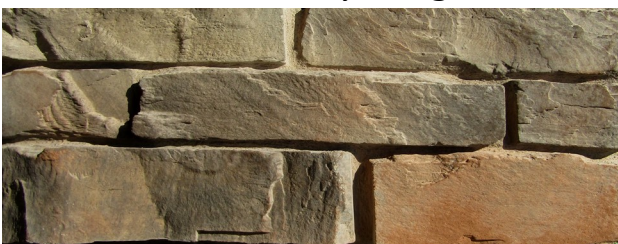


*Alpine Country Ledgestone*

*Silverado Country Ledgestone*



*Buckskin Country Ledgestone*



## A Mortar-Less / Screw-On Stone Veneer System

Mason's Mark Stone's new **Country Ledge Quick Fit**, is completely **MORTAR-LESS**. This system comes in a panel that is just over one square foot each at 8 inches tall and 20.5 inches wide. This panel fastens easily with 3 screws to any existing wood framed wall through a piece of flashing that is securely embedded into the stone panel with just a few common hand tools you likely already own.





# MASON'S MARK

## STONE VENEER CORPORATION

“Our Mark is High Quality”

### SIMPLE SCREW-ON INSTALLATION

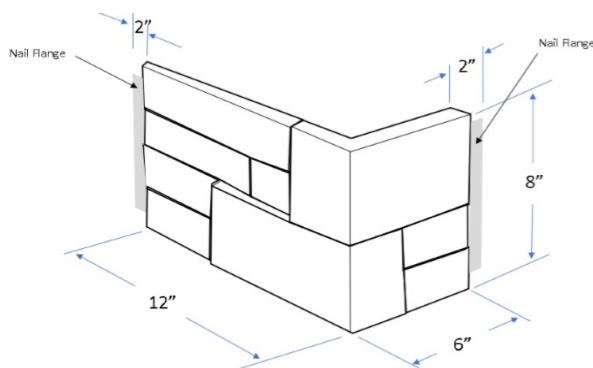
\*\* Please review our two page Mortar-less Stone veneer Installation instructions found on the technical data page of our website ([www.masonsmarkstone.com](http://www.masonsmarkstone.com)) for a more detailed step-by-step installation of your new Country Ledge Mortar-less Stone Veneer before you begin.

Install your entire first course of mortar-less stone veneer along your starting edge being sure that each panel is level and secure along the entire first course before moving on the second course. Panels are then installed in shingle fashion by stacking the panels in courses (Rows) moving up the wall from bottom to top. Panels should be pulled from multiple boxes to randomly mix as much as possible the colors of the purchased product providing a uniform look across the entire project.

The stone veneer panels should be installed using #8 x 2" modified truss screws to secure each panel to the wall sheathing through the nail flange. Fasteners should be evenly spaced but at least 1/2" away from any edge. At a minimum, three screws should be used on any panel that exceeds 19" in length with at least two screws placed into wall studs. Panels less than 18" in length require two screws with at least one secured into a wall stud. In cases where screws can not be secured into wall studs one additional screws should be used to secure the panel to the wall sheathing.

The best installation results are achieved when panels are installed level and plumb and staggered from one course to the next to ensure that no vertical joints are aligned with the vertical joints of previous course.

Stone Veneer should continue to be installed from bottom to top in shingle fashion until no additional full panel courses can be laid and a space occurs at the top of the stone wall where a full size panel will not fit without being cut horizontally.



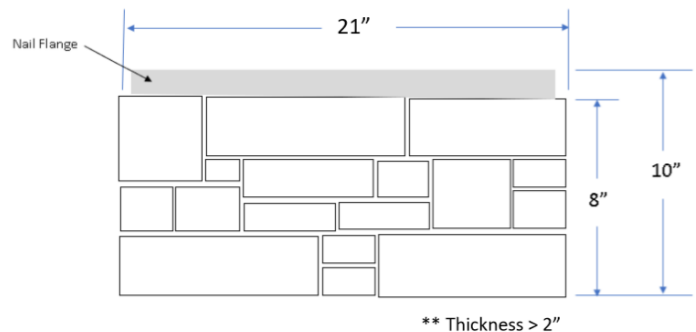
### INSTALLATION OF TOP COURSE & ACCESORIES

Upon reaching the top of the wall it may not be possible to install the final course of stone in the same way as previous courses based on the amount of space available or the angle or type of the termination that exists at the top of the wall. You may also wish to install a Light or Electrical Trim box which does not have a nail flange. The following describes the installation method that must be used in order to complete your project using our veneer products.

It will be necessary in most cases to trim the top course of stone and secure this course of stone veneer using an alternative method. For best results ensure that the stone panels are cut precisely and that the cut edge is placed at the top against the termination. The nail flange along with the removed stone portion will be cut off and discarded.

The top course of stone veneer will be secured in place by first attaching a 2.5 lbs. galvanized steel expanded metal lath to the wall area using #8 x 2" modified truss screws at 6 inch intervals both vertically and horizontally being sure to secure the lath to as many framing studs or joists as possible.

The stone veneer pieces having been cut, trimmed and tested for a proper fit can now be secured to the metal lath using a masonry glue product such as Loctite PL500 Block Landscape Adhesive or other equivalent Landscape Masonry Adhesive.



**Buckskin Country Ledge Quick-Fit**  
Mortarless Screw-On Stone Veneer Panel