



“Our Mark Is High Quality”

MORTARLESS VENEER INSTALLATION INSTRUCTIONS

CAUTION

It is strongly recommended that you check with local building authorities regarding building code requirements in your area before installing any Mason's Mark Stone products on your home or business.

Please review all installation instructions and safety recommendations carefully before proceeding with your stone veneer installation.

Mason's Mark stone veneer highly recommends that all safety precautions are to be taken seriously. At a minimum the use of eye protection along with a properly fitted NIOSH approved N-95 series respirator or dust mask, work gloves, long sleeves, hearing protection, steel toe boots and a hard hat should be used to reduce the possibility of injury during the product installation process.

MORTARLESS STONE VENEER APPLICATION

Mason's Mark mortarless stone veneer panels are designed to be used on wood frame construction applications covered with a nail-based sheathing product. Mason's Mark mortarless stone veneer requires that 7/16" OSB or 1/2" plywood sheathing (at a minimum) be used under the stone product. Wall framing should be 16" on center and plumb to within 1/4" per 10 lineal ft. The International Building Code (IBC) Table 1604.3 gives a deflection limit for exterior walls and interior partitions of L/240. All roofing and interior wallboard construction should be completed prior to the installation of any exterior stone veneer products. Expansion joints on the stone product should conform to the specifications of the registered design professional. The Installations of Mason's Mark Stone products above 30' in height must be pre-approved by a registered design professional.

Builders must provide a means for moisture drainage and adequate ventilation behind the stone veneer at all horizontal terminations by using code approved flashing products and generally accepted building practices.

DETERMINING STARTING LOCATION

International Building code requires a 4" clearance from grade (Soil) or a 2" clearance from grade (hard surface or concrete). It is critical that your horizontal starting line is level and that appropriate minimum clearance from grade is uniformly achieved.

Your initial starting line should be level and at a uniform distance to any overhangs, trim or cladding that the stone may abut. Ensure the bottom edge of the starter strip (weep screed) is installed flush along your desired starting line and in accordance with local building codes. Use chalk lines across the entire surface to be covered at 8" or 16" vertical intervals to assist in keeping the veneer level during the entire installation. Adjusting panel spacing to catch up distance or level can be done, but this must be done in very small increments.

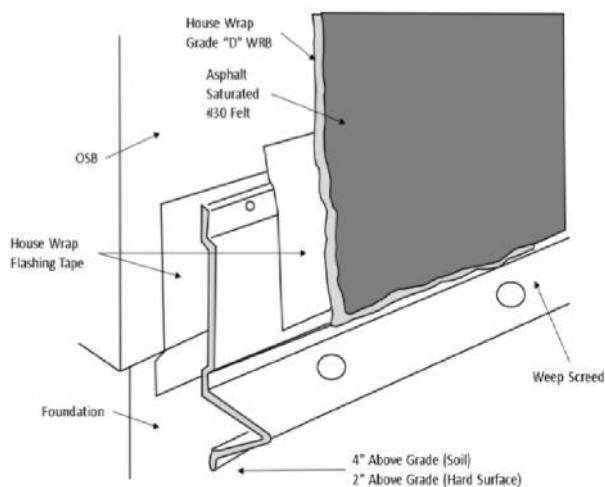
Ideally, It is best to determine in advance how many courses it will take to reach the top of the wall and plan your starting position to allow the final course of stone to be used without cutting or trimming, placing the final nail flange just under the siding of the home. However, this may not always be possible. Plan ahead to avoid unnecessary cut edges from being visible in conspicuous locations.

WATER RESISTANT BARRIER INSTALLATION

A minimum of two layers of a water resistant barrier (WRB) or equivalent Grade "D" Building paper should be used in accordance with manufacturers recommendations and should be used anywhere that stone veneer is to be installed. This second layer of WRB layer is to be considered sacrificial in its role while protecting the main WRB layers. A preferable method involves applying a rain screen drainage mat product over the first layer of WRB in accordance with manufacturers recommendations allowing water drainage and ventilation to occur behind the stone product. Proper water proofing and ventilation is critical to ensuring the prevention of future water intrusion problems and the long lasting beauty of your stone veneer product.

WEEP SCREED INSTALLATION

Install appropriate flashing materials (weep screed / drip flashing / flashing tape) along your starting line, at any framing-foundation transitions and also surrounding any door and window openings as appropriate and in accordance with accepted building practices and building code. Fasten weep screed with roofing nails or screws loosely at horizontal intervals of 8'-10'. Fasteners should **NEVER** be driven tight but additional fasteners may be added to secure the flashing as needed. Overlap WRB and #30 Felt over weep screed nail flange in shingle fashion as shown in the figure below.





“Our Mark Is High Quality”

MORTARLESS VENEER INSTALLATION INSTRUCTIONS

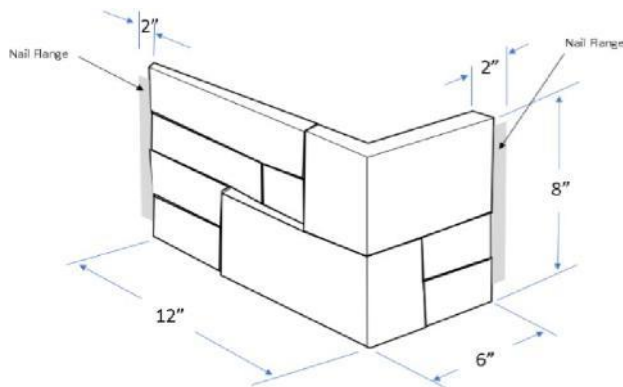
STONE VENEER INSTALLATION

Install your entire first course of mortar-less stone veneer by overlapping stone panels on top of the weep screed nail flange. Panels are then installed in shingle fashion by stacking in courses moving up the wall from bottom to top. Panels should be pulled from multiple boxes to randomly mix as much as possible the colors of the purchased product providing a uniform look across the entire project.

The stone veneer panels should be installed using 2" modified truss screws to secure each panel to the wall sheathing through the nail flange. Fasteners should be evenly spaced but at least 1/2" away from any edge. At a minimum, four screws should be used on any panel that exceeds 19" in length with if possible two screws placed into wall studs. Panels less than 18" in length require screws at approx. 5" spacing with at least one secured into a wall stud. In cases where screws cannot be secured into wall studs one additional screws should be used to secure the panel to the wall sheathing.

The best installation results are achieved when panels are installed level and plumb and staggered from one course to the next to ensure that NO vertical joints are aligned with the vertical joints of previous course.

Stone Veneer should continue to be installed from bottom to top in shingle fashion until no additional full panel courses can be laid and a space occurs at the top of the stone wall where a full size panel will not fit without being cut horizontally.



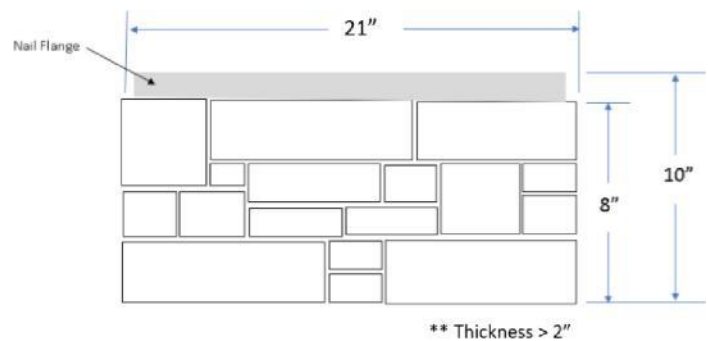
INSTALLATION OF TOP COURSE & ACCESORIES

Upon reaching the top of the wall it may not be possible to install the final course of stone in the same way as previous courses based on the amount of space available or the angle or type of the termination that exists at the top of the wall. You may also wish to install a Light or Electrical Trim box which does not have a nail flange. The following describes the installation method that must be used in order to complete your project using our veneer products.

It will be necessary in most cases to trim the top course of stone and secure this course of stone veneer using an alternative method. For best results ensure that the stone panels are cut precisely and that the cut edge is placed at the top against the termination. The nail flange along with the removed stone portion will be cut off and discarded.

The top course of stone veneer will be secured in place by first attaching a 2.5 lbs. galvanized steel expanded metal lath to the wall area using #8 x 2" modified truss screws at 6 inch intervals both vertically and horizontally being sure to secure the lath to as many framing studs or joists as possible.

The stone veneer pieces having been cut, trimmed and tested for a proper fit can now be secured to the metal lath using a masonry glue product such as Loctite PL500 Block Landscape Adhesive or other equivalent Landscape Masonry Adhesive.



Buckskin Country Ledge Quick-Fit
Mortarless Screw-On Stone Veneer Panel